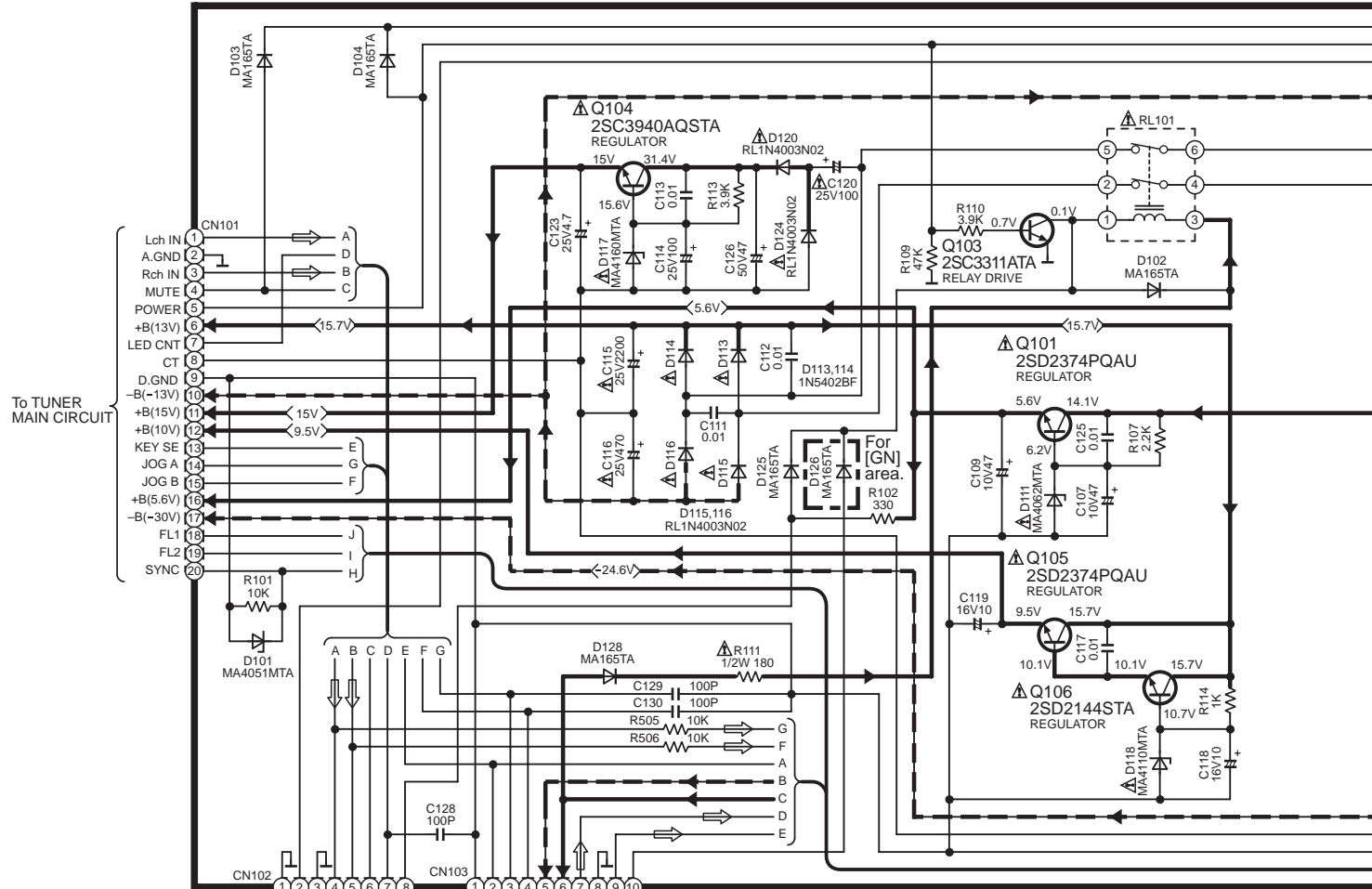
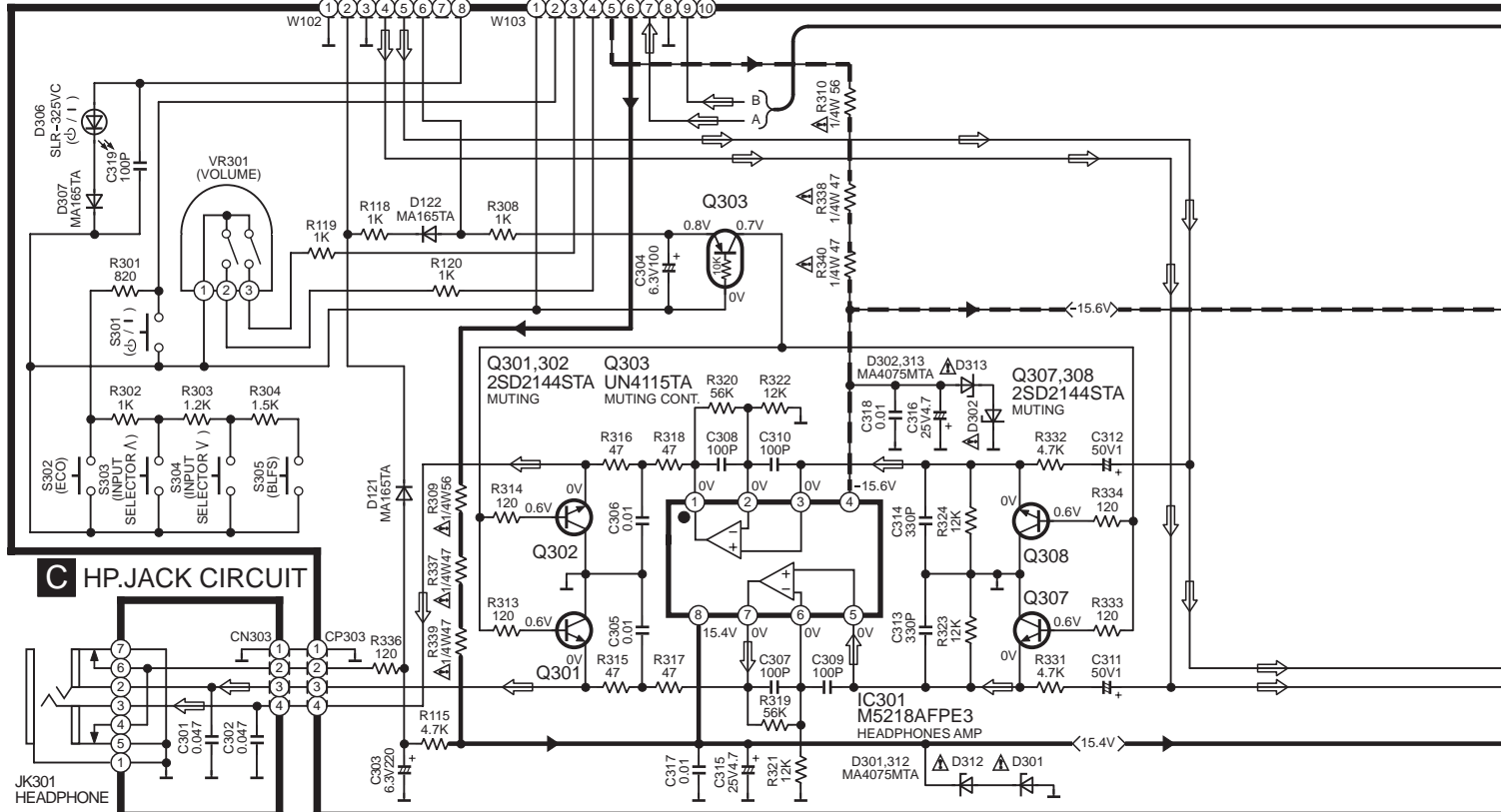


A POWER SUPPLY CIRCUIT

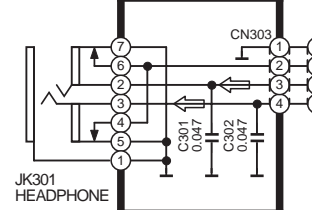
: POSITIVE VOLTAGE LINE
 : NEGATIVE VOLTAGE LINE
 : SOURCE SIGNAL LINE



B OPERATION CIRCUIT

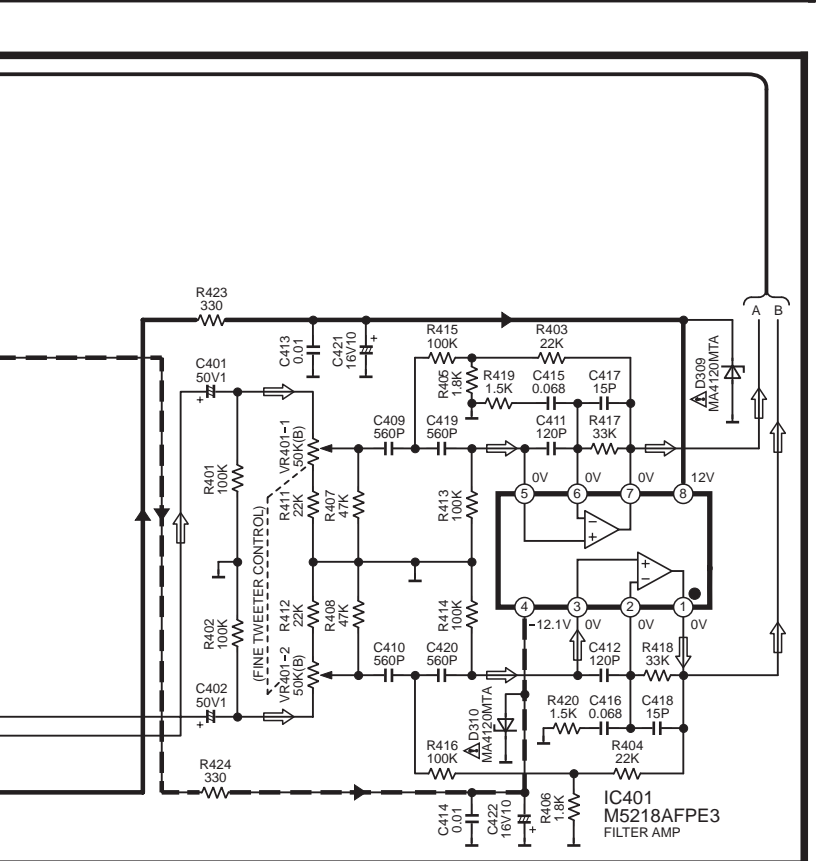
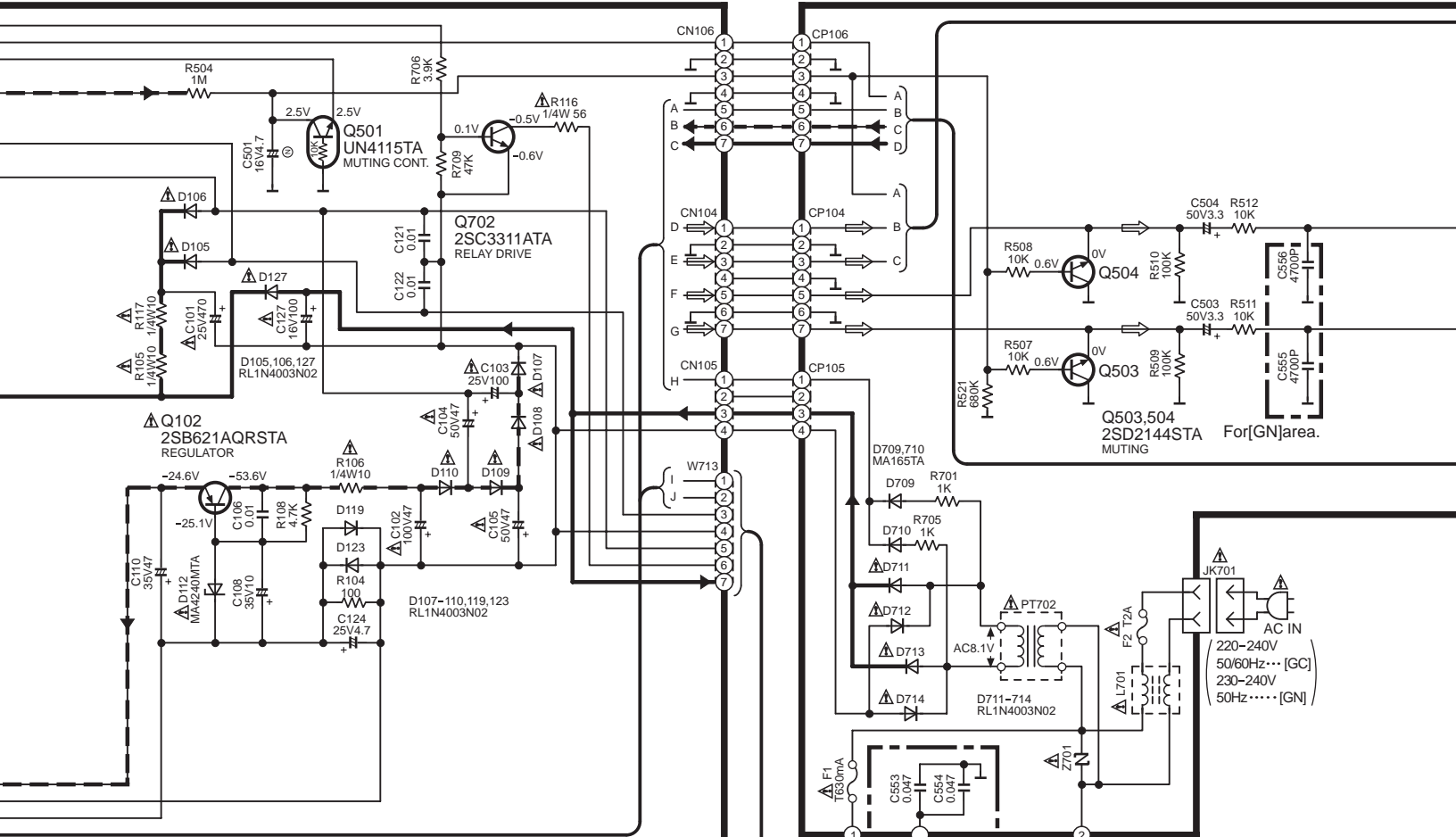


C HP.JACK CIRCUIT

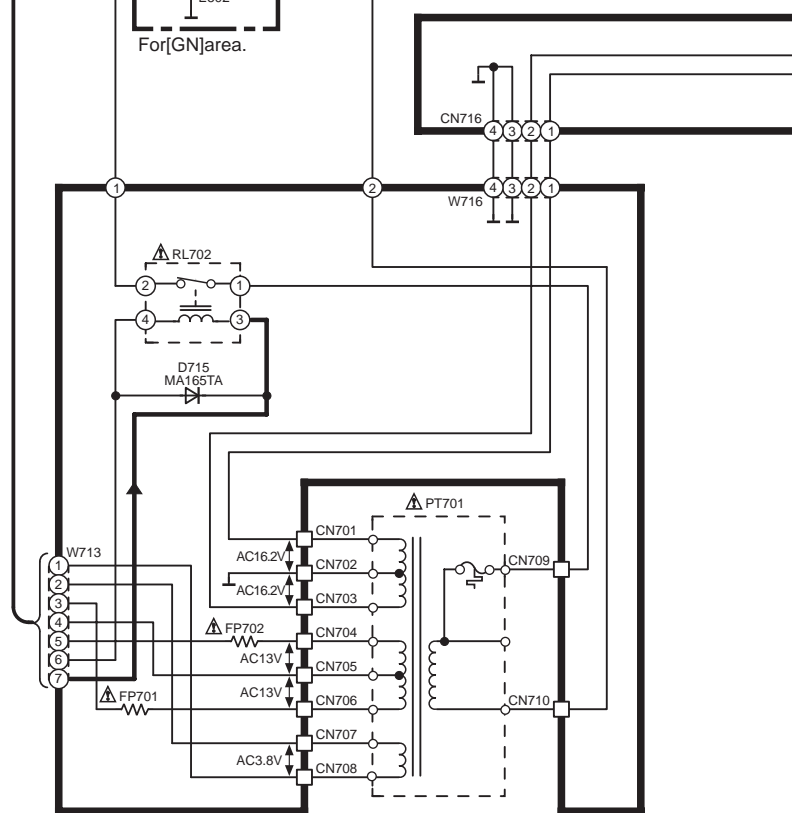


→ : POSITIVE VOLTAGE LINE
 ← : NEGATIVE VOLTAGE LINE
 ⇨ : SOURCE SIGNAL LINE

D MAIN CIRCUIT



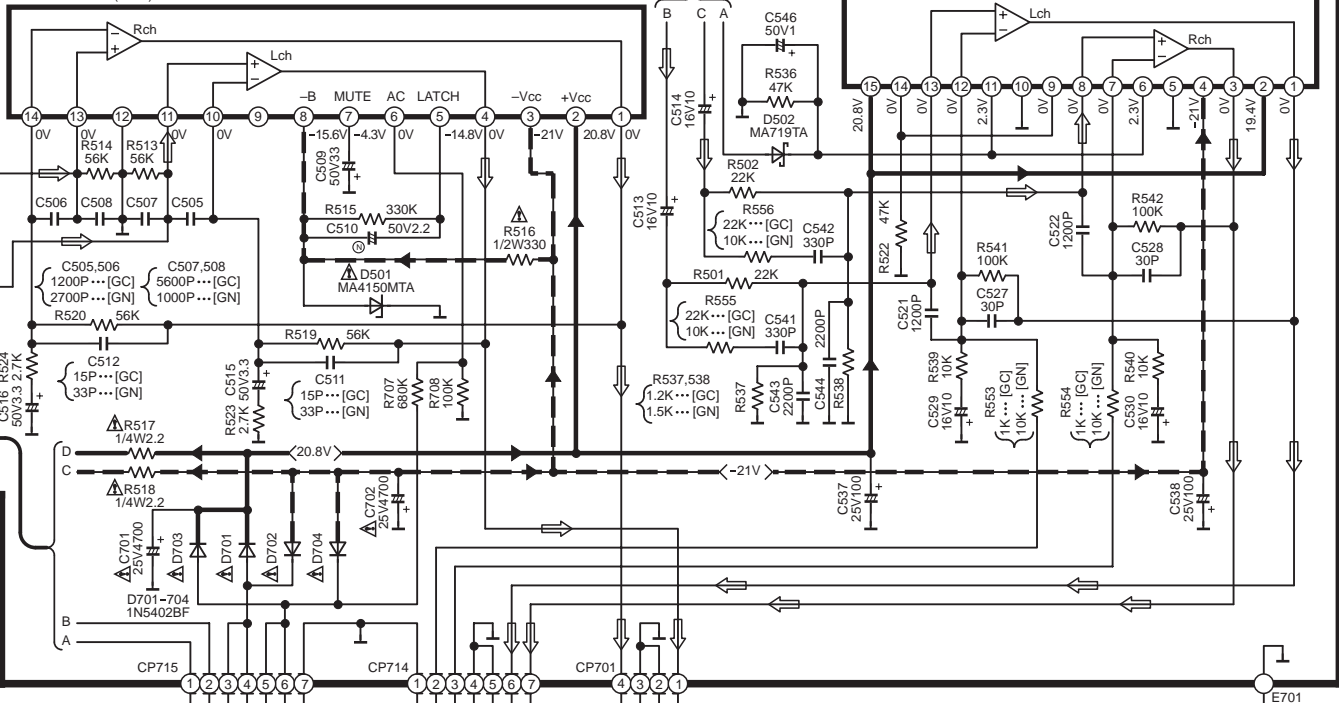
E POWER TRANSFORMER CIRCUIT



→ : POSITIVE VOLTAGE LINE → - : NEGATIVE VOLTAGE LINE ⇨ : SOURCE SIGNAL LINE

IC501
RSN35H1
POWER AMP(LOW)

IC502
LM1876TF
POWER AMP(HIGH)



F SPEAKER TERMINAL CIRCUIT

